

UTS SALES AND REPAIRS

A SAFER WAY TO REACH NEW HEIGHTS

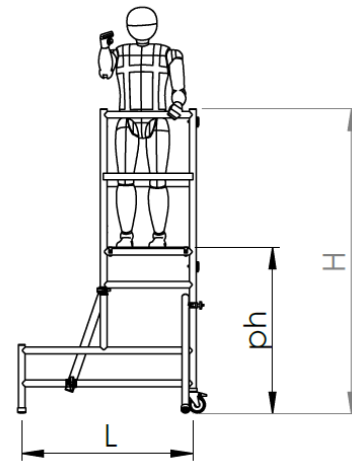
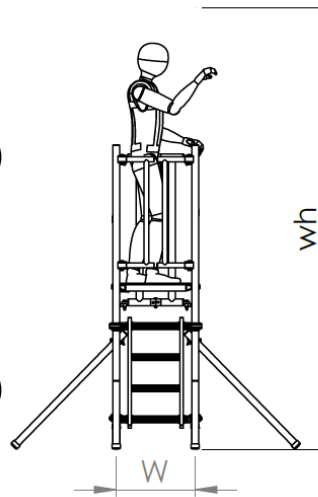
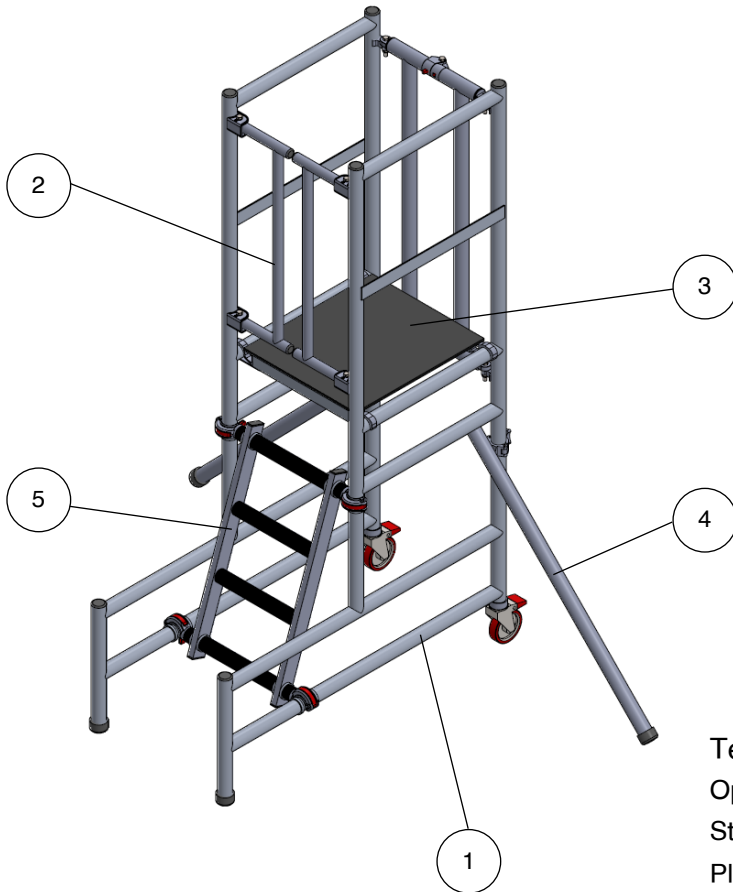
BS 8620 Podium
(H)2.26 X (L)1.37m X (W)0.65m

Working Height
3.25m

Platform Height
1.25m

Tower Components

Item	Description	Quantity
1	Podium Mainframe	1
2	Self Closing Gates	1
3	Platform	1
4	Stabilisers	2
5	Ladder	1
6	Instruction Manual	1



Technical information:

Open Dimensions:	(H)2.26 X (L)1.37m X (W)0.65m
Storage Dimensions:	(H)2.26 X (L)1.37m X (W)0.26m
Platform Dimensions:	0.6m X 0.53m
Platform Height (ph):	1.0m 1.25m
Working Height (wh):	3.0m 3.25m
Maximum Working Load:	150kg
Weight:	35kg

01227 860085
Mon-Fri, 8am until 5pm

For More Information:
info@towersandpodiums.co.uk
 We reply within 1 hour
 Mon-Fri, 8am until 5pm

